

### PRODUCT CODES

#### Thermostat

3iE-xx-xx // 3iE-version-color

- 3iE-02NL (non GFCI - requires LENSE)
- 3iE-05WH (Class A GFCI - WHITE)
- 3iE-05BL (Class A GFCI - BLACK)
- 3iE-05NL (Class A GFCI - requires LENS)



#### Lens

3iE-xxLENS // 3iE-colorLENS

- 3iE-CLENS (Classic Cream)
- 3iE-WHLENS (Cloud White)
- 3iE-DPLENS (Deep Pink)
- 3iE-LFLENS (Leaf Green)
- 3iE-MBLENS (Madison Blue)
- 3iE-PBLENS (Piano Black)
- 3iE-SGLENS (Silver Gray)
- 3iE-WBLENS (Warm Berry)



### PRODUCT DESCRIPTION

Designed exclusively by Warmup, the 3iE™ is the world's first fully interactive, touch technology, energy monitoring thermostat.

The Warmup 3iE™ allows you to view graphs of your recorded energy consumption with actual costs.

Only WARMUP tells you exactly what you pay for your underfloor heating system. With a built in GFCI, the new 3iE™ floor heating thermostat strikes the perfect balance between safety, style and functionality.

### ADVANTAGES

The 3iE series thermostats are uniquely design to control **electric** and **hydronic** floor heating systems. They have been specially engineered to provide energy-monitoring both in wattage and cost to ensure optimum power usage.

The 3iE series is built to fit a horizontal single gang or double gang electrical mount. The face of the device is an attractive touch-screen panel providing intuitive menus to control the device.

The 3iE-05 series has a built-in Class A GFCI rated at 5mA. All 3iE series thermostat are dual voltage and can be powered at 120, 208 or 240V. The 3iE can switch up to 15 Amps worth of true load.

All 3iE thermostats have a built-in Ambient Sensor and come supplied with a Floor Sensor to monitor floor or slab temperatures. It can operate on AIR, FLOOR or AIR + FLOOR modes for Primary Heating.

A special WOOD setting will allow the device to be limited to 81°F temperatures when installed under laminate, engineered and natural wood floors.

### LIMITATIONS

The 3iE is not a transformer. It must be powered accordingly to the load it will switch and operate.

### SPECIFICATIONS

Supply voltage	120V and 240V, 60Hz
Max Load	15A
GFCI	Class A (5 mA trip level)
Floor Probe Length	10ft (3m)
Sensor Type	Floor/ Air/ External
Battery back-up	60min
Dimensions (H/W/D)	3.5 x 4.3 x 1.2" (90 x 110 x 30 mm)
Screen Dimensions	1.4 x 2"
IP rating	IP20/IP32* (*with optional gasket)
Approvals	UL approved



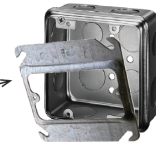
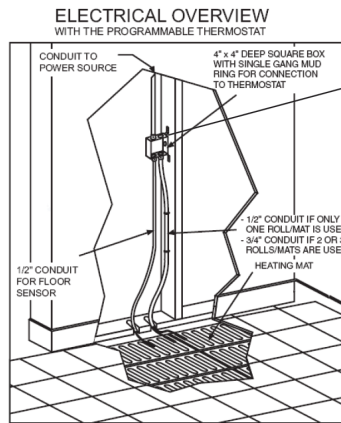
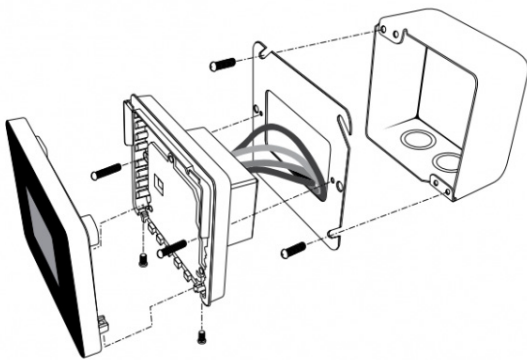
### TECHNICAL DATA

#### APPLICATIONS

**Suitable to Operate With**

NADWM Floor Heating Mats
NADWS Floor Heating Cables
WODH In-slab Heating Cables
FOIL heating systems

#### INSTALLATION



#### SENSOR PROBE

- Length: 3 meters or 10 feet
- Cable thickness: 3mm or 1/8"
- Probe dimensions: L x W = 20mm x 6mm or 5/8" x 1/4"
- Cable gauge: 24Ga 2-signal low voltage wire (extendable to 90ft)



#### PRODUCT LISTING

Code	Description	Amp (A)
3iE-05WH	WHITE 3iE Programmable Thermostat w/ Class A GFCI.	15A
3iE-05BL	BLACK 3iE Programmable Thermostat w/ Class A GFCI.	15A
3iE-05NL	3iE Programmable Thermostat w/ Class A GFCI and customizable lens color. Select lens below.	15A
3iE-NL	Non-GFCI 3iE Programmable Thermostat with customizable lens color. Select lens below.	15A
LENS	Color lens: silver, cream, green, blue, pink or dark red.	N/A
3iE-SP	Sensor Probe for 3iE Thermostat. All thermostats are shipped with one floor sensor included.	N/A

### WARRANTY & MAINTENANCE

When installed according to the installation manual, the 3iE series thermostats are covered with Warmup's 3-year manufacturer warranty. The system requires no maintenance. All Warmup XiE series controls (3iE and 4iE) are protected by Warmup's SafetyNET Guarantee.

### TECHNICAL SUPPORT

Warmup is available 24/7/365 at (888) 927-6333.

For quotes, layouts and specific technical information, contact us at:

#### Warmup USA

52 Federal Rd #1F, Danbury, CT 06810  
(888) 927-6333  
us@warmup.com

#### Warmup CANADA

374 Wellington St W, Toronto, ON M5V 1E3  
(905) 990-2075  
ca@warmup.com

### RELATED PRODUCTS

- NADWM - see WSC-0720
- NADWS - see WSC-0721
- FOIL - see WSC-0723
- WODH - see WSC-0724